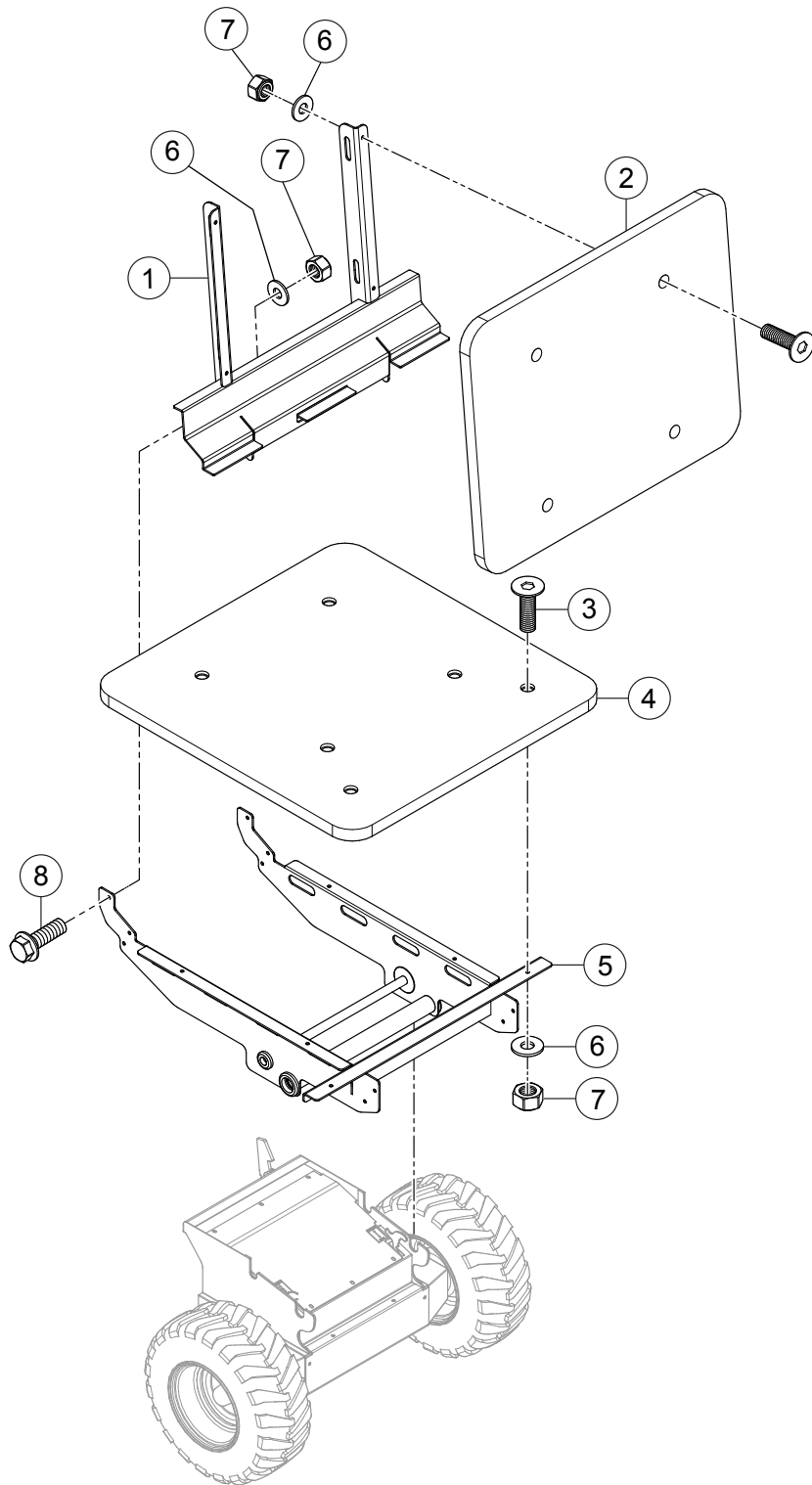


# FLATBED ASSEMBLY - PARTS



FLATBED ASSEMBLY - PARTS

ITEM NO.	PART NUMBER	DESCRIPTION	QTY	NOTES
1	73-0900	FLATBED TOP FRAME WA	1	
2	73-0120	COMPOSITE BOARD REAR 450	1	
3	7-10035	SCREW COUNTERSUNK M10 X 35	10	
4	73-0119	COMPOSITE BOARD BASE 450	1	
5	73-0100	FLATBED BASE FRAME WA	1	
6	4-1005	WASHER M10 FLAT	16	
7	8-10006	NUT M10 NYLOC	16	
8	7-10004	SCREW M10 X 20	6	
9	7-10004-1	SCREW, M10X20	6	