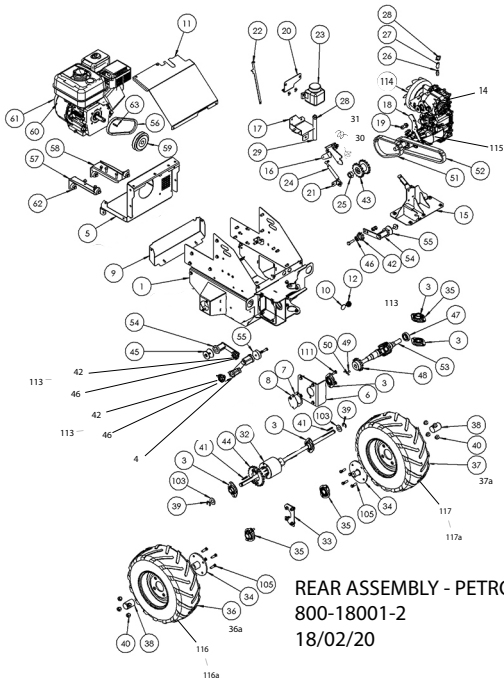


REAR ASSEMBLY PETROL



REAR ASSEMBLY - PETROL
800-18001-2
18/02/20

REAR ASSEMBLY PARTS LIST - PETROL

ITEM	PART NO	DESCRIPTION	QTY	NOTES
1	101-03200	REAR CHASSIS WA	1	
3	53-0120	BEARING BALL 19.05 bore mounted	5	SERIAL B151040 - B151049
4	2-1009	TENSIONER SE11	1	SERIAL B151040 - B151049
5	101-99956	PRESSING ENGINE DECK	1	
6	101-99960	COVER BEARING REAR	1	
7	101-99943	SPACER BEARING COVER	1	
8	101-99942	PLATE BEARING COVER	1	
9	101-99917	PRESSING REAR COVER	1	
10	72-1000	BLANKING PLUG 25MM	1	
11	101-99951	COVER REAR UNIT	1	
12	70-5010	FITTING DIA 25MM BULK HD	1	
14	6-2000	TRANSMISSION UNIT	1	
15	101-03600	BRACKET BASE WA	1	
16	101-99947	BRACKET LEVER DIRECTION	1	
17	101-99949	BRACKET CORNER UPPER	1	
18	101-99948	PLATE BRAKE LOCK	1	
19	9-10034	SHOULDER BOLT M10 X 16	1	
20	101-99953	BRACKET EXP TANK	1	
21	101-99962	BRACKET DAMPENER	1	
22	101-99952	PLATE PUMP OVERRIDE	1	
23	6-2001	EXPANSION TANK 71328	1	
24	2-1300	DAMPENER STRUT	1	
25	8-19001	UNF 3/4" NUT	1	
26	6-0001	ADAPTOR ST 7/16" UNC-1/4" BSP SS	1	
27	6-0002	ELBOW 90DEG F-M 1/4" BSP - 1/4" BSPT SS	1	
28	6-0003	HOSE PINCH CLIP 17/20	2	
29	6-0004	PIPE 3/4" REINFORCED CLEAR	1	
30	2-1018	SPRING EXT DEADMAN HYDRO	1	
31	2-1011	SPRING EXT PUMP CENTRING	1	
32	6-1300	DIFFERENTIAL AXLE REAR	1	
33	101-99954	PLATE BEARING REAR	1	
34	102-03100	HUB W.A.	2	
35	53-0110	BEARING BALL 25 bore mounted	3	
36	60-6509RHF	WHEEL ASSY 16X6.5X8	1	BENDI 300, UP TO B202299
36a	60-6509LHF	WHEEL ASSY 16X6.5X8	1	BENDI 450, UP TO B202299
37	60-6509LHF	WHEEL ASSY 16X6.50X8	1	BENDI 300, UP TO B202299
37a	60-6509RHF	WHEEL ASSY 16X6.50X8	1	BENDI 450, UP TO B202299
38	72-0400	MOULDING HUB COVER	2	
39	3-1061	CLIP E- 3/4" SHAFT	2	
40	8-3800	WHEEL NUT - 3/8" UNF	8	
41	21-1200	KEY 3/16"SQ X 40mm	2	
42	104-99926	COG 8T	3	
43	101-03700	SHAFT OUPUT DRIVE WA	1	
44	104-99925	GEAR 22T	1	
41	53-0170	BEARING BALL 25x47x12	1	
42	21-2100	CHAIN 5/8" FRONT	1	
43	2-1001	TENSIONER ASSEMBLY	2	
44	4-9021	WASHER 3/4" ID X 38 x 2.0	2	

REAR ASSEMBLY PARTS LIST - PETROL Cont'd

45	102-99940	BOSS TENSIONER SUPPORT	1	
46	53-0130	BEARING BALL 26x10x8	3	
47	53-0170	BEARING BALL 25x47x12	1	
48	21-1500	COG 13T	1	
49	21-1600	KEY 6X6X25	1	
50	7-6031	SCREW GRUB M6 X 12	2	
51	21-2080	CHAIN REAR 5/8" SHORT	1	
52	21-2090	CHAIN REAR LONG 5/8"	1	
53	21-0650	ASSEMBLY DRIVE JOINT	1	
54	2-1001	TENSIONER ASSEMBLY	3	
55	4-9031	WASHER 50X8.5X1.5 BZP	6	
56	21-3030	BELT - A22	1	PETROL OPTION
57	101-99926	PRESSING FOOT BRKT HONDA	1	PETROL OPTION
58	101-99927	PRESSING DRAIN BRKT HONDA	1	PETROL OPTION
59	21-3040	PULLEY	1	PETROL OPTION
60	20-1600	ENGINE HONDA GX160	1	PETROL OPTION
61	20-2000	ENGINE HONDA GX200	1	450 SKIP OPTION
62	21-0500	A V MOUNT 30x15xM8	4	PETROL OPTION
63	21-0800	KEY 3/16"SQ X 2" X 30MM LG	1	PETROL OPTION
103	4-9021	WASHER 3/4" ID X 38 x 2.0	2	
105	7-10050	WHEEL STUD 3/8"X24UNF	8	
111	9-8067	BOLT M8 X 25 COACH	2	
113	104-99926SP	COG/SLIPPER KIT	3	SERIAL NO FROM B181629
114	6-2003	FAN KIT 53994	1	
115	6-2002	PUMP OIL FILTER	1	
116	60-6609RHF	WHEEL ASSY 16X6.5X8	1	BENDI 300, FROM B202300
116a	60-6609LHF	WHEEL ASSY 16X6.5X8	1	BENDI 450, FROM B202300
117	60-6609LHF	WHEEL ASSY 16X6.50X8	1	BENDI 300, FROM B202300
117a	60-6609RHF	WHEEL ASSY 16X6.50X8	1	BENDI 450, FROM B202300