

BENDie ^{4x4} TRUXTA

Compact Articulated Mini Dumper

Petrol Powered Mini Dumper - payload 300/450kg



300 BENDie - 300kg (660lbs) payload, articulated

450 BENDie - 450kg (990lbs) payload, articulated

Tufftruk Limited introduce a range of TRUXTA Honda or Vanguard powered mini dumpers that provide maximum versatility and light touch operation, available with 300kg and 450kg skip capacity.

The BENDie 4x4 mini dumper provides access even in the tightest corners. The TRUXTA 4x4 is really compact and gets into places other units can't.

With a large skip capacity the TRUXTA BENDie mini dumper offers excellent load capacity in and around sites and gardens.

Robust heavy duty construction and a well-balanced skip means the TRUXTA is built for all sorts of materials and tough terrains. The TRUXTA - 2 stage self-tipping skip requires no manual lifting.



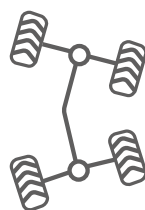
Articulated for Maximum Access



The **Squeeze & Go Controls** (no mechanical gearboxes) make for the easiest use for any operator, weak or strong.

It's the patented 'steering pivot drive system' that provides ultimate manoeuvrability in a compact size. Combine this with a 300kg (660lbs) or 450kg (990lbs) skip capacity and flotation tyres fitted as standard.

4X4 AND EASY TO MANOEUVRE



- EASY TO OPERATE IN TIGHT SPACES
- PATENTED CENTRE STEERING SYSTEM



Packed full of key features



With the TRUXTA Honda or Vanguard, you get a smooth operation built for durability - hydrostatic system - no slipping belts, no gear changing, sealed for life and maintenance free.

Easily transportable from site to site in a large van.

The fail-safe dead-man brake system and intuitive hydrostatic controls gives the TRUXTA operator the safest possible operation.

Skip Options: (both fully recyclable)

- Conventional high strength steel
- New heavy-duty Poly-skip

Skip Tipping Options:

- Non powered, Manual 2-stage self-tipping



TRUXTA^{4x4} Attachments

Easy fit attachments for a variety of applications.

- TRUXTA Flatbed (with log poles as an option)
- TRUXTA Towball offers different positions for different sizes of trailer
- TRUXTA Snow Plough offers an easy to use winter utilities attachment
- TRUXTA Skip extensions for lightweight materials
- TRUXTA Skip tipping control for controlled tipping



TRUXTA

Gets to Work Everywhere



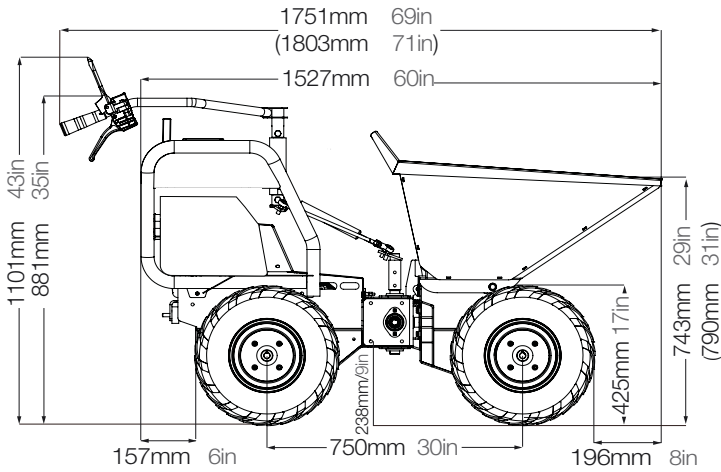
A BENDie mini dumper's articulated chassis means the TRUXTA handles corners with minimum effort - just steer around bends and corners - no need to lift or reposition.

The well balanced TRUXTA fits through typical doorways (2ft 6" B300 or 3ft B450).

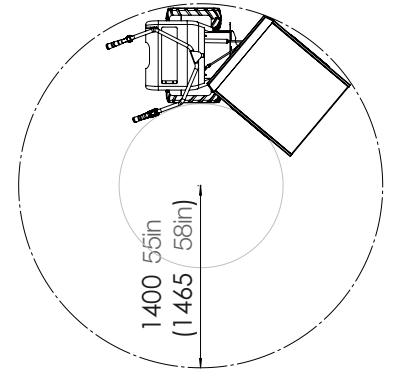
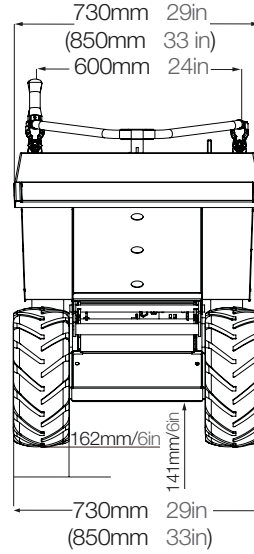
The new heavy duty Poly-Skip is designed for the TRUXTA 450 & TRUXTA 300.



BENDie TRUXTA 4x4



Dimensions B300 BENDie (B450 BENDie)



Turning Circle

Specifications

Model	Petrol B300G	
Engine/Power (kW)/hp	Honda GX 160 (3.6) 4.8	
Fuel Type	Unleaded Petrol (4 stroke)	
Fuel Capacity	Litres	3.1
	Gals	0.682
Max Payload	300kg/660lbs / 7ft ³ / 0.2m ³	
Unladen Weight	kg	170
	lbs	374
Working Width	730mm	
Working Gradient	25°	
Drive & Controls	Hydrostatic System	
Brake System	Hydrostatic brake system with fail-safe dead-man handle	
Standard Fitment Tyres	Flotation with option for turf tyres	
Forward Travel	0-4 mph / 6.444 kph	
Reverse Travel	0-1.5 mph / 2.42 kph	
Noise Level (db)	< 96	
Hand Arm Vibration	3.6 m/s ²	

A 12 month warranty is applicable on all Tufftruk machines.

Model	Petrol B450G	
Engine/Power(kW)/hp	Honda GX 200 (4.1) 5.5 Vanguard 200 (3.7) / 4.9	
Fuel Type	Unleaded Petrol (4 stroke)	
Fuel Capacity	Litres	3.1
	Gals	0.682
Max Payload	450kg/990lbs 10.6ft ³ / 0.3m ³	
Unladen Weight	kg	180
	lbs	396
Working Width	850mm	
Working Gradient	25°	
Drive & Controls	Hydrostatic System	
Brake System	Hydrostatic brake system with fail-safe dead-man handle	
Standard Fitment Tyres	Flotation with option for turf tyres	
Forward Travel	0-4 mph / 6.444 kph	
Reverse Travel	0-1.5 mph / 2.42 kph	
Noise Level	< 96	
Hand Arm Vibration	4.6 m/s ²	

We reserve the right to change specification without prior notice.

11/2021

For more information
call us direct, or contact:



Tufftruk Limited
Unit 5, Prince Street Business Park,
Prince Street, Leek,
Staffordshire ST13 6DB
T: +(44) 01298 84687
E: sales@tufftruk.co.uk
www.truxta.com