

NEW Battery Powered **EB300**

BENDie **TRUXTA** 4x4

Compact Articulated Mini Dumper

Tufftruk Limited introduce the **new EB300 Electric BENDie mini dumper** - a battery powered mini dumper that provides maximum versatility and light touch operation.

The new **EB300** for use indoor or outdoor the compact **TRUXTA** (2ft 6" / 730mm) fits through typical doorways.

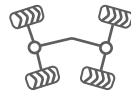
TRUXTA BENDie mini dumper offers excellent load capacity and **productivity**.



Built for the Green Environment



- **8 HOURS RUNTIME**
- OVERNIGHT SMART CHARGE
- DUAL VOLTAGE (110V/230V)



- **4X4 AND EASY TO MANOEUVRE**
- EASY TO OPERATE IN TIGHT SPACES
- REGISTERED DESIGNS



- **BUILT-IN MOTOR BRAKE SYSTEM**
- SAFE PARKING BRAKE
- REGENERATIVE BRAKING SYSTEM



Key Features

The new Electric BENDie 4x4 mini dumper provides access even in the tightest corners. The TRUXTA 4x4 is really compact and gets into places tracked, lift and steer dumpers cannot.

On-board Smart Battery Charger with power cable storage (110V / 230V).

Operators get a quiet environmentally friendly option for use anywhere - no emissions and ultra quiet for noise sensitive environments.

- Fail-safe dead-man brake system
- New multi-position handle

Skip Options: (both fully recyclable)

- New heavy-duty Poly-skip
- Conventional high strength steel (option)

Skip Tipping Options:

- Non powered, Manual 2-stage self-tipping
- Powered controlled tipping with Powertip or Powertip plus (option)

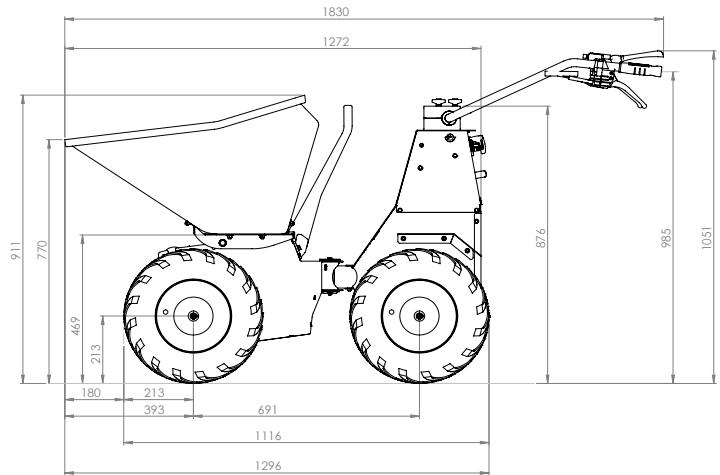


Attachments

easy fit attachments for a variety of applications:

Flatbed, Towball, Power-Tip, Power-Tip-Plus, Skip Extensions and Skip-Tip Control.

Model	Electric EB300 (4x4)
Motor/Power (kW)	DC Motor 2x600W/24v
Power Type	2 x 12v AGM Batteries
Max Payload	300kg/660lbs / 7ft ³ / 0.2m ³
Unladen Weight	134kg 295lbs
Working Width	730mm
Working Gradient	25°
Drive & Controls	2 x 24v Transaxle
Brake System	Electrically operated brake system with fail-safe dead-man handle
Standard Fitment Tyres	Flotation with option for turf tyres
Forward Travel	0-3.5 mph / 5.63 kph
Reverse Travel	0-1.5 mph 2.42 kph
Noise Level (db)	< 76
Hand Arm Vibration	2.5 m/s ²



A 12 month warranty is applicable on all Tufftruk machines. We reserve the right to change specification without prior notice.

01/2022

For more information call us direct, or contact:



Tufftruk Limited
 Unit 5, Prince Street Business Park,
 Prince Street, Leek,
 Staffordshire ST13 6DB
T: +(44) 01298 84687
E: sales@tufftruk.co.uk
www.truxta.com